

# BELLOW GLOBE VALVE PN16/40 DIN FLANGED



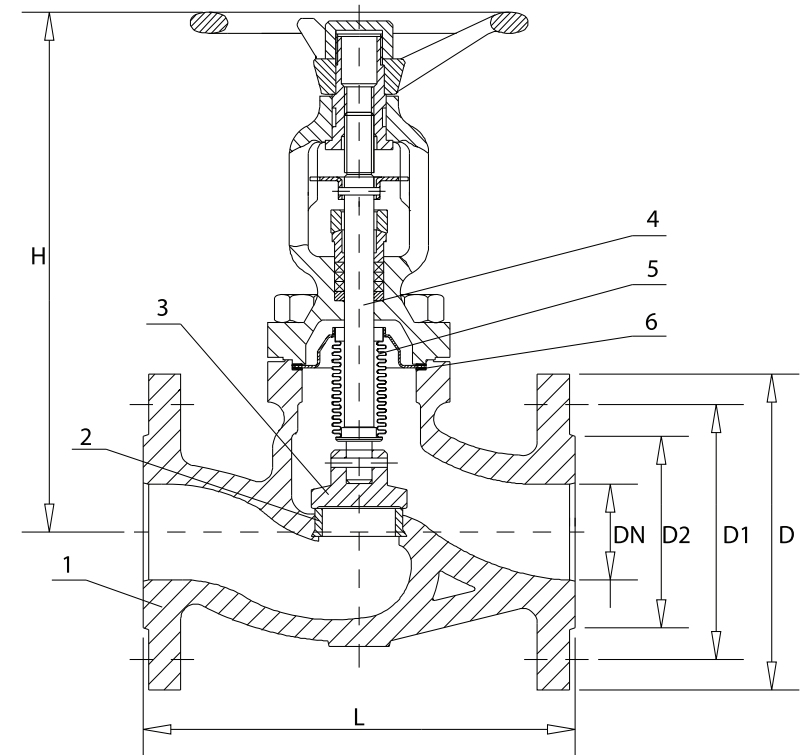
Fig. 3413

## Features

Design	Bellow bolted bonnet
Rating	PN16/40
Face to face	DIN 3202-F1
Ends	DIN Flanged

## Materials

N°	Part name	Material
1	Body	A216 WCB / A351 CF8M
2	Seat	A105 +STL / A182 F316 + STL
3	Disc	A105 +STL / A182 F316 + STL
4	Stem	A182 F6A / A182 F316
5	Bellows	SS 304 / SS 316
6	Gasket	AISI 304 + Graphite AISI 316 + Graphite



## Main dimensions

Size		L	H	D	D1	D2	n-ød	Weight Kg	
DN	NPS							GG25 / GGG40	A216WCB
15	½"	130	190	95	65	45	4-14	3,2	4
20	¾"	150	195	102	75	58	4-14	4,4	5
25	1"	160	220	115	85	68	4-14	4,8	7
32	1¼"	180	219	140	100	78	4-18	6,1	8
40	1½"	200	254	150	110	88	4-18	11,0	13
50	2"	230	265	165	125	102	4-18	13,0	15,5
65	2½"	290	328	185	145	122	4-18	21,0	23
80	3"	310	341	200	160	138	8-18	26,4	28
100	4"	350	376	220	180	158	8-18	40,0	43
125	5"	400	488	250	210	88	8-18	53,5	68
150	6"	480	531	285	240	212	8-22	81,0	100
200	8"	600	663	340	295	268	12-22	154,0	202