

# FORGED GLOBE VALVE BOLTED BONNET 800# NPT/SW



Fig. 3611

## Features

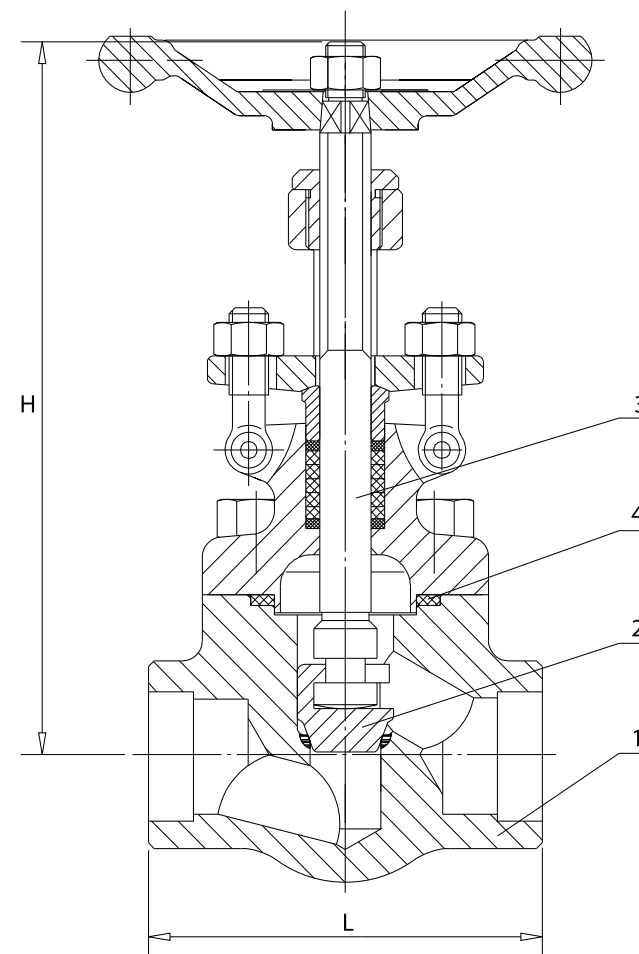
Design	Bolted bonnet
Rating	800#
Face to face	According to dimension table
Ends	NPT Threaded

## Materials

N°	Part name	Material
1	Body	A105 / A182 F316
2	Disc	A182 F6A + STL / A182 F316 + STL
3	Stem	A182 F6A / A182 F316
4	Gasket	AISI 304 + Graphite AISI 316 + Graphite

## Main dimensions

Size		L	H	Weight Kg
DN	NPS			
15	½"	79	170	2,2
20	¾"	92	172	2,4
25	1"	111	207	4,1
32	1¼"	120	228	5,5
40	1½"	152	270	9,0
50	2"	172	320	14,0



# FORGED Y GLOBE VALVE BOLTED BONNET 800# NPT/SW



Fig. 3612

## Features

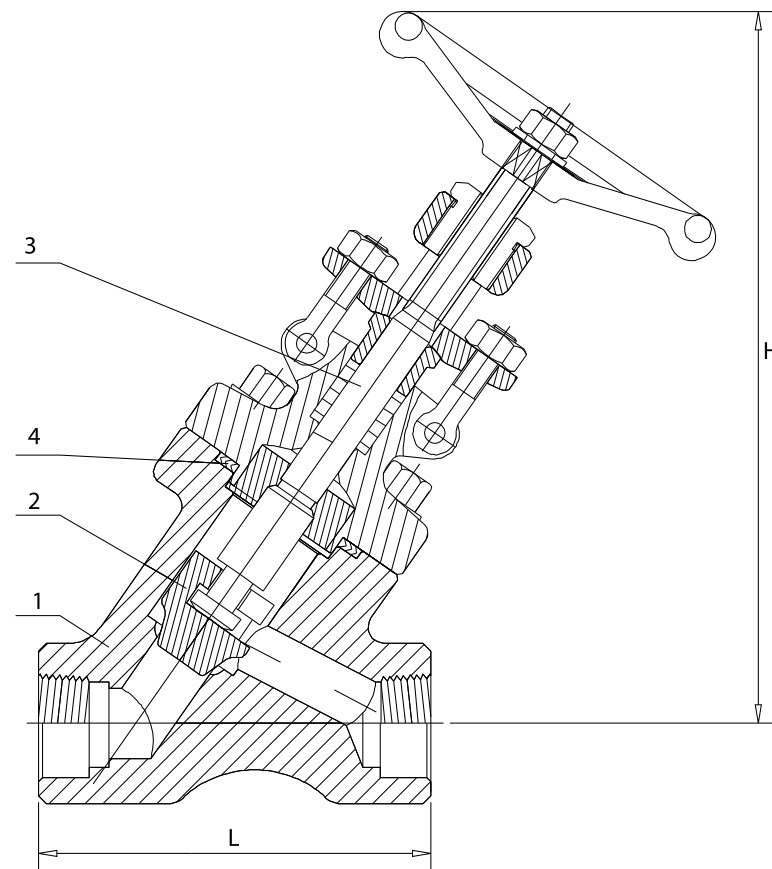
Design	API 602. Bolted bonnet. Y bonnet
Rating	800#
Face to face	According to dimension table
Ends	SW. NPT Threaded

## Materials

N°	Part name	Material
1	Body	A105 / A182 F316
2	Disc	A182 F6A + STL / A182 F316 + STL
3	Stem	A182 F6A / A182 F316
4	Gasket	AISI 304 + Graphite AISI 316 + Graphite

## Main dimensions

Size		L	H	Weight Kg
DN	NPS			
15	½"	98	180	1,9
20	¾"	100	188	2,1
25	1"	120	198	3,2
32	1¼"	140	280	6,9
40	1½"	140	280	7,9
50	2"	172	350	10,4



# FORGED GLOBE VALVE PRESSURE SEAL 1500#/2500# SW



Fig. 3613

## Features

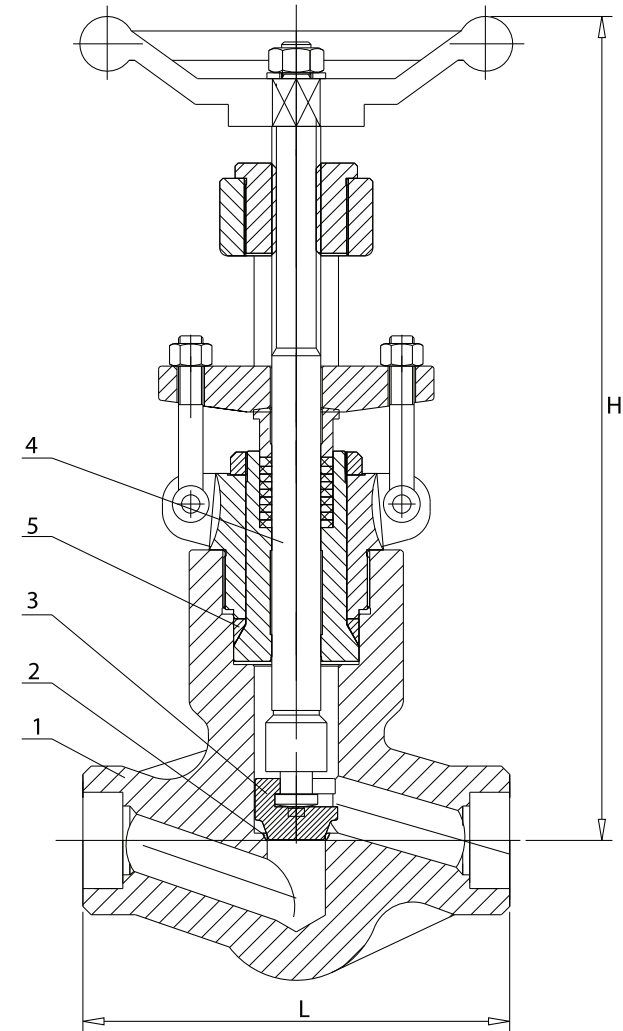
Design	Pressure seal bonnet
Rating	1500# / 2500#
Face to face	According to dimension table
Ends	SW / NPT / BW

## Materials

N°	Part name	Material
1	Body	A105 / A182 F316
2	Seat	STELLITE
3	Disc	A182 F6A + STL / A182 F316 + STL
4	Stem	A182 F6A / A182 F316
5	Gasket	AISI 304 / AISI 316

## Main dimensions

Size		L		H		Weight Kg	
DN	NPS	1500#	2500#	1500#	2500#	1500#	2500#
15	½"	140	186	320	375	11,5	12,3
20	¾"	140	186	320	378	10,8	11,6
25	1"	140	186	320	380	10,5	10,8
32	1¼"	178	232	440	480	19,6	26,0
40	1½"	178	232	440	490	21,1	28,4
50	2"	216	276	490	540	55,4	60,0



# FORGED GLOBE VALVE BOLTED BONNET 150#/300#/600# ANSI FLANGED



Fig. 3413

## Features

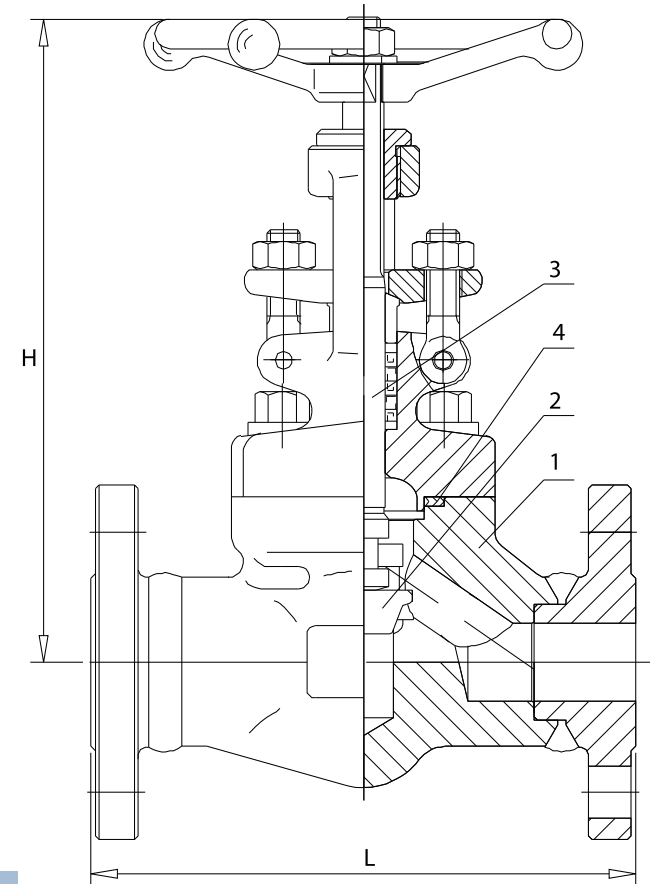
Design	API 602. Bolted bonnet
Rating	150#/300#/600#
Face to face	ASME B16.10
Ends	Flanged

## Materials

N°	Part name	Material
1	Body	A105 / A182 F316
2	Disc	A182 F6A + STL / A182 F316 + STL
3	Stem	A182 F6A / A182 F316
4	Gasket	AISI 304 + Graphite AISI 316 + Graphite

## Main dimensions

Size		L			H		Weight Kg		
DN	NPS	150#	300#	600#	150#	300# / 600#	150#	300#	600#
15	½"	108	152	165	170	170	3,50	4,20	5,5
20	¾"	117	178	190	170	170	4,80	5,30	7,0
25	1"	127	203	216	205	205	6,50	7,50	9,7
32	1¼"	140	216	229	225	225	9,80	11,30	12,5
40	1½"	165	229	241	254	254	12,00	16,50	18,4
50	2"	203	267	292	292	292	15,00	18,20	20,0



# FORGED BELLOWS GLOBE VALVE BOLTED BONNET 800# NPT THREADED/SW



Fig. 3615

## Features

Design	Bolted bonnet
Rating	800#
Face to face	According to dimension table
Ends	NPT Threaded. SW

## Materials

N°	Part name	Material
1	Body	A105 / A182 F316
2	Disc	A182 F6A + STL / A182 F316 + STL
3	Stem	A182 F6A / A182 F316
4	Bellows	AISI 304 / AISI 316

## Main dimensions

Size		L	H	Weight Kg
DN	NPS			
15	½"	79	220	3,0
20	¾"	92	225	4,8
25	1"	111	244	7,9
32	1¼"	120	321	11,0
40	1½"	152	321	16,8
50	2"	172	347	25,2

