

DOUBLE BLOCK AND BLEED VALVE 150#/300#/600#/900#/1500#/2500# FLANGED/BW



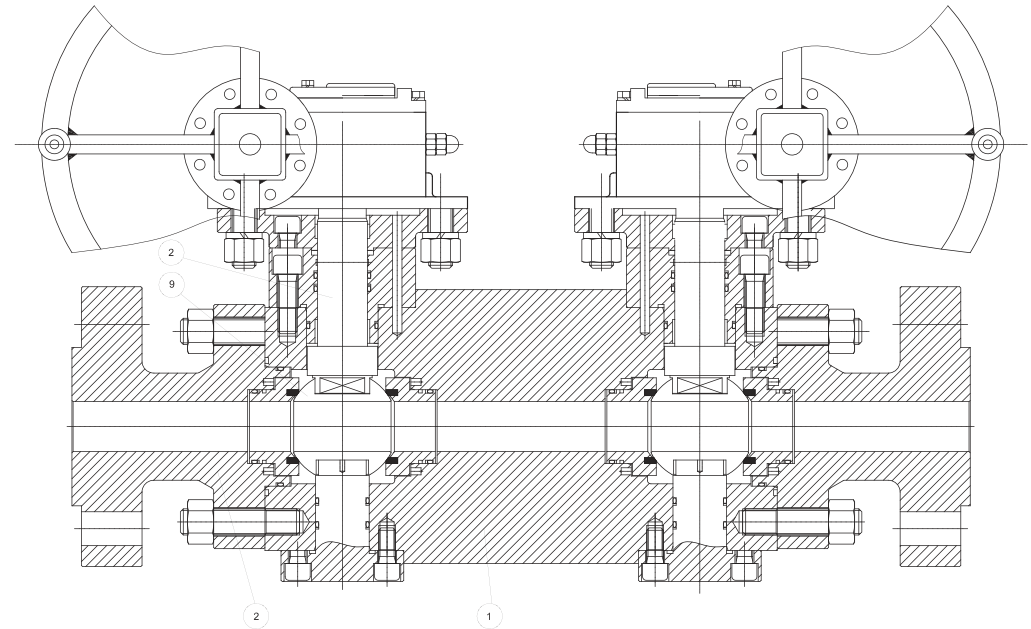
Fig. 1478

Features

Design	API 6D. Full or reduced bore
Rating	150#/300#/600#/900#/1500#/2500#
Face to face	ASME B16.10
Ends	Flanged. BW

Materials

N°	Part name	Material
1	Body	A105 / A182 F316
2	Boll	A105+ENP / A182 F316
3	Stem	A182 F6A / A182 F316
4	Seat	RPTFE / PEEK



Main dimensions

Size		L												Weight Kg							
		150#		300#		600#		900#		1500#		2500#		150#	300#	600#	900#	1500#	2500#		
DN	SIZE	RF	RTJ	RF	RTJ	RF	RTJ	RF	RTJ	RF	RTJ	RF	RTJ	RF	RTJ	150#	300#	600#	900#	1500#	2500#
3	80	524	537	524	540	584	587	609	612	699	702	816	822	143	146	195	210	272	378		
4	100	579	592	579	595	691	694	716	719	815	818	938	948	198	246	287	311	413	643		
6	150	739	752	748	764	904	907	955	958	1040	1046	1304	1317	332	371	485	580	900	1629		
8	200	839	852	884	900	1042	1045	119	1122	1229	1238	1476	1492	557	618	803	1100	1538	4053		
10	250	992	1005	1028	1044	1246	1249	1311	1314	1466	1474	1770	1792	865	978	1319	1734	2758	5225		
12	300	1135	1148	1173	1189	1363	1366	1509	1512	1666	1682	2012	2035	1387	1604	1922	21632	4282	9729		
14	350	1259	1272	1335	1351	1462	1465	1598	1608	1811	1830	-	-	1795	1886	2326	3004	5301	-		
16	400	1411	1424	1487	1503	1640	1643	1777	1787	2008	2030	-	-	2142	2234	2784	3627	7500	-		
18	450	1591	1604	1641	1657	1819	1822	1944	1957	2216	2238	-	-	3004	3132	3900	5072	9890	-		
20	500	1717	1730	1794	1813	1997	2003	2121	2134	2439	2461	-	-	4028	4230	5274	6849	13424	-		
22	500	1871	1884	1972	1994	2175	2185	2331	2331	2704	2726	-	-	4248	5238	6537	9000	17730	-		
24	600	2024	2037	2100	2122	2354	2364	2501	2523	2926	2954	-	-	5989	6282	7839	10183	20162	-		